

Year 4
Block 2 Assessment
Paper 1
(Answers at the end of the quiz)



Question 1

Put the correct sign, $>$
or $<$ in each box

48 81

92 23

54 45



Answer

48 < 81

92 > 23

54 > 45



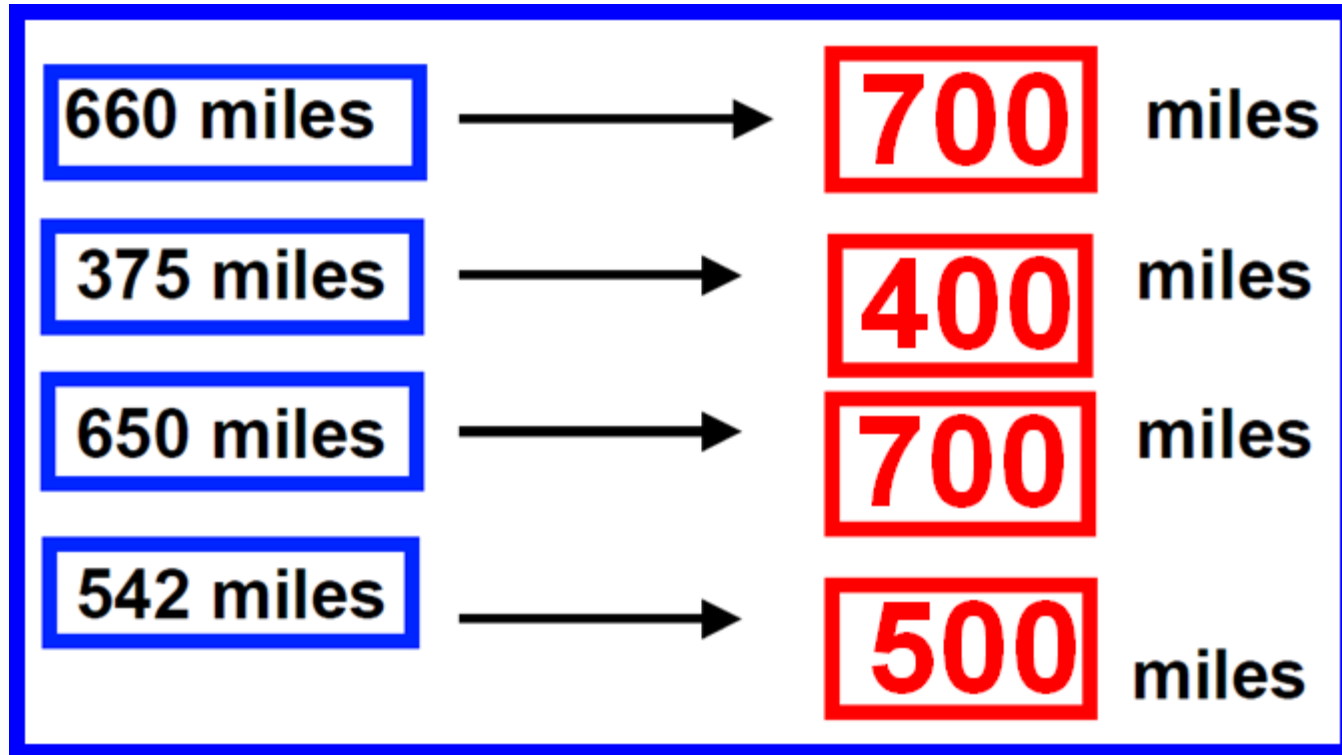
Question 2

Round these distances to the nearest 100 miles.

660 miles	→	<input type="text"/>	miles
375 miles	→	<input type="text"/>	miles
650 miles	→	<input type="text"/>	miles
542 miles	→	<input type="text"/>	miles



Answer



Question 3

Complete the addition grid.

+	41	34	43
54			97
23		57	
	76		



Answer

+	41	34	43
54	95	88	97
23	64	57	66
35	76	69	78



Question 4a

The table below shows how many people visited the Leisure Centre in one week.

TUES	WED	THURS	FRI	SAT	SUN
164	189	168	210	345	334

- a) How many people went to the Centre at the weekend (Friday, Saturday and Sunday)?



Answer

a) 889



Question 4b

The table below shows how many people visited the Leisure Centre in one week.

TUES	WED	THURS	FRI	SAT	SUN
164	189	168	210	345	334

b) How many more people went on Sunday than on Thursday? (Show your working out, you may get a mark)



Answer

b) 166



5. Complete these multiplication grids

x	0	10	5
6			
3			
10			

x	4		3
10		60	
	8		
		30	



Answer

X	0	10	5
6	0	60	30
3	0	30	15
10	0	100	50

X	4	6	3
10	40	60	30
2	8	12	6
5	20	30	15



Question 6a

6. a) 5 children each bake a cake.
Each child needs 125g of sugar. How
many 1kg bags of sugar will be
needed?

**(show your working, you may get a
mark)**



Answer

1 kg bag



Question 6b

6b) If there is any sugar left over,
how many more cakes would it be
possible to bake?

(show your working, you may get a
mark)



Answer

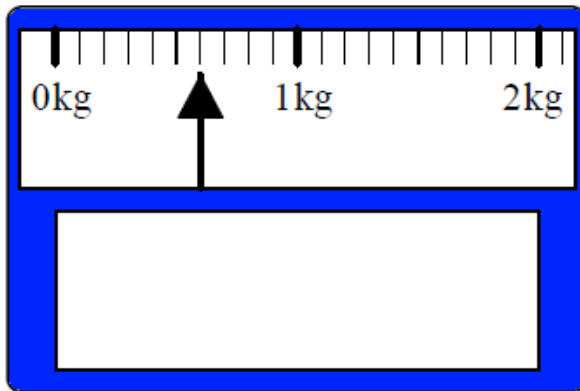
3



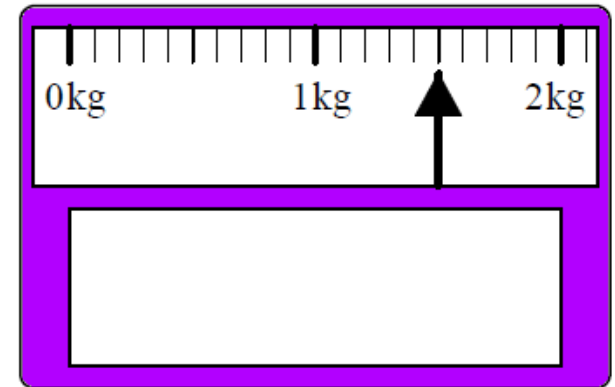
Question 7a

Two objects are weighed. Write the mass of each object in the box on the scales.

a)



b)

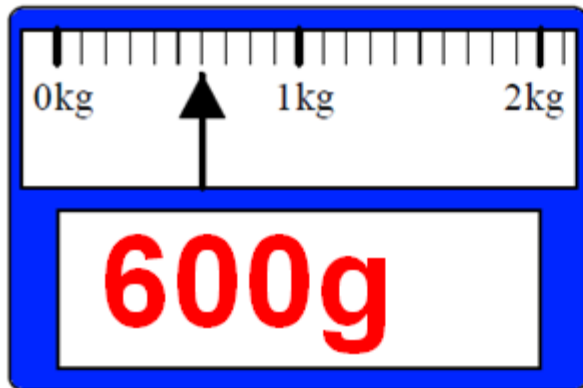


Answer

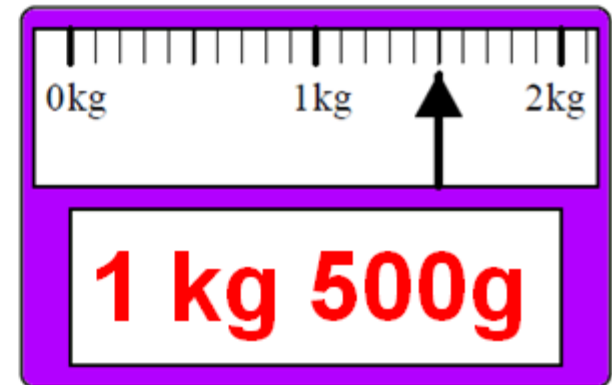
a) 600g or equivalent

b) 1 kg 500g or equivalent

a)



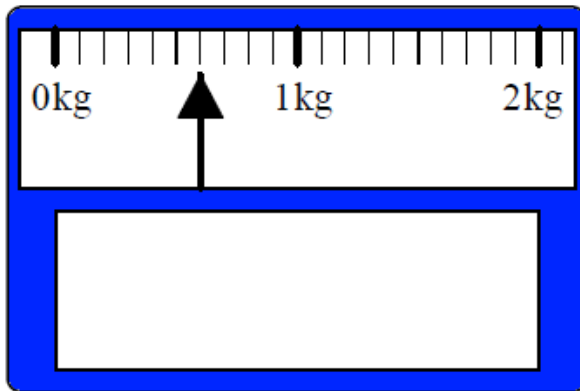
b)



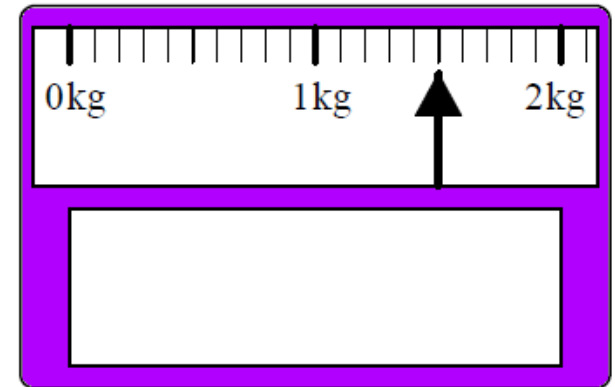
Question 7b

What is the total mass in kilograms?

a)



b)



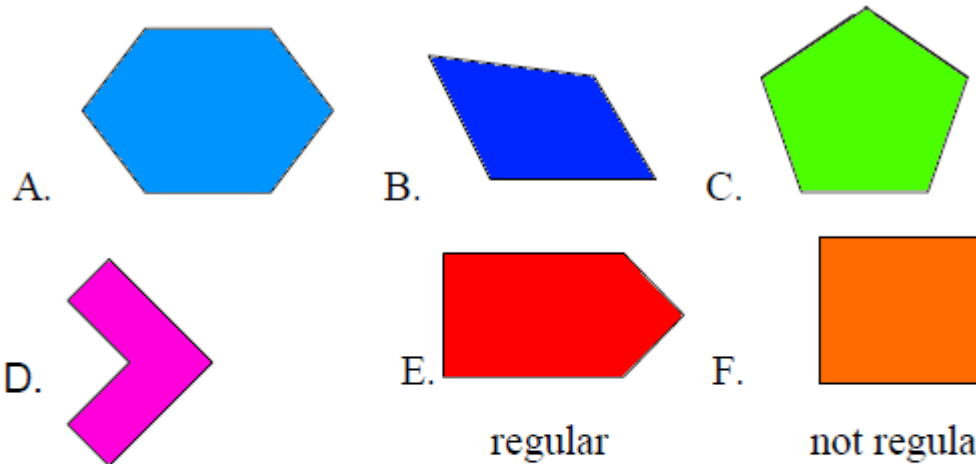
Answer

2kg 100g or equivalent



Question 8

Sort these shapes into groups by putting the letter of the shape into the correct box.



quadrilateral
not a quadrilateral

Answer

	regular	not regular
quadrilateral	F	B
not a quadrilateral	A, C	D, E



Answers

Question Number	Answer	Comments 24 marks in total	Level																
1	$48 < 81$ $92 > 23$ $54 > 45$	2 marks for all correct. 1 mark for at least 2 correct.	2a																
2	$660 \rightarrow 700$ $375 \rightarrow 400$ $650 \rightarrow 700$ $542 \rightarrow 500$	2 marks. 1 mark for at least 2 correct.	3a																
3	<table border="1" data-bbox="413 815 958 1100"> <tbody> <tr> <td>+</td> <td>41</td> <td>34</td> <td>43</td> </tr> <tr> <td>54</td> <td>95</td> <td>88</td> <td>97</td> </tr> <tr> <td>23</td> <td>64</td> <td>57</td> <td>66</td> </tr> <tr> <td>35</td> <td>76</td> <td>69</td> <td>78</td> </tr> </tbody> </table>	+	41	34	43	54	95	88	97	23	64	57	66	35	76	69	78	2 marks for all correct 1 mark for at least 3 correct	3a
+	41	34	43																
54	95	88	97																
23	64	57	66																
35	76	69	78																
4	a) 889 b) 166	a) 1 mark b) 2 marks for correct answer. 1 mark for correct working if answer wrong.	3b																

Answers

5	<table border="1" style="display: inline-table; margin-right: 20px;"> <tr><td>X</td><td>0</td><td>10</td><td>5</td></tr> <tr><td>6</td><td>0</td><td>60</td><td>30</td></tr> <tr><td>3</td><td>0</td><td>30</td><td>15</td></tr> <tr><td>10</td><td>0</td><td>100</td><td>50</td></tr> </table> <table border="1" style="display: inline-table;"> <tr><td>X</td><td>4</td><td>6</td><td>3</td></tr> <tr><td>10</td><td>40</td><td>60</td><td>30</td></tr> <tr><td>2</td><td>8</td><td>12</td><td>6</td></tr> <tr><td>5</td><td>20</td><td>30</td><td>15</td></tr> </table>	X	0	10	5	6	0	60	30	3	0	30	15	10	0	100	50	X	4	6	3	10	40	60	30	2	8	12	6	5	20	30	15	<p>For each grid: 1 mark for 3 correct 2 marks for 6 correct 3 marks for all correct</p>	3a
X	0	10	5																																
6	0	60	30																																
3	0	30	15																																
10	0	100	50																																
X	4	6	3																																
10	40	60	30																																
2	8	12	6																																
5	20	30	15																																
6	<p>a) 1 kg bag</p> <p>b) 3</p>	<p>a) 2 marks for correct answer, 1 mark for correct working if answer wrong b) As above</p>	4c																																
7	<p>c) 600g or equivalent d) 1 kg 500g or equivalent e) 2kg 100g or equivalent</p>	<p>1 mark . 1 mark . 1 mark .</p>	4c																																
8	<table border="1" style="margin-left: auto; margin-right: auto;"> <thead> <tr> <th></th> <th>regular</th> <th>not regular</th> </tr> </thead> <tbody> <tr> <td>quadrilateral</td> <td>F</td> <td>B</td> </tr> <tr> <td>not a quadrilateral</td> <td>A, C</td> <td>D, E</td> </tr> </tbody> </table>		regular	not regular	quadrilateral	F	B	not a quadrilateral	A, C	D, E	<p>2 marks for all correct. 1 mark for at least 3 correct.</p>	3a																							
	regular	not regular																																	
quadrilateral	F	B																																	
not a quadrilateral	A, C	D, E																																	

Draft Level Thresholds Y4 Block 2

Below level 2	Level 2			Level 3			Level 4 and above
0-8	9-21			22-33			34-48
	2c	2b	2a	3c	3b	3a	Level 4 +
	9-12	13-16	17-21	22-25	26-29	30-33	34-48

Total marks for part 1 and part 2= 48



Printable Question Paper

[Click here](#) for a
printable version of
the Year 4 Block 2
Test.



References and additional resources.

The questions and ideas for this PowerPoint came from:
Wigan LEA Numeracy Centre
Year1 Block 1 Assessment

Thank You

PowerPoint template published by www.ksosoft.com

All the planning for this unit can be found at:
<http://www.wiganschoolsonline.net/curriculum/math/assess.shtm>

Contains public sector information licensed under the Open Government Licence v3.0.
(<http://www.nationalarchives.gov.uk/doc/open-government-licence/version/3/>)

All images used in this PowerPoint was found at the free Public Domain Clip Art site. (<https://openclipart.org/>)
<http://www.clker.com> or were included in the original document.



Where Can I Find More Resources Like This?

- You can now visit my teaching resource website at <http://www.DrFog.co.uk>
- You can [click here](#) to search for more of my teaching resources.
- [Click here](#) to visit my YES shop!

