

**Wigan LEA  
Numeracy Centre**

**Year 3 Time Block 3  
Mental Arithmetic  
Test Questions**



Produced by  
Wigan Numeracy Centre  
September 2000

## Year 3 Block 3

### Test 13 (end of week 2)

I will read every question twice. In this first set you will have 5 seconds to work out the answer and record it on your answer sheet.

1. Write the biggest number you can with these digits:  
2, 5, 3 (532)
2. Round 95 to the nearest 10. (100)
3. What number is 10 less than 701? (691)
4. How many vertices has a pentagon? (5)
5. What must I add to 35 to make 100? (65)
6. Find the total of 4, 7 and 16. (27)
7. 12 children line up in 4 equal rows. How many children are in each row? (3)
8. 4 children equally share 20 sweets. How many do they get each? (5)
9. What is the next multiple of 5 after 195? (200)
10. How many diagonals has a square? (2)

For the next set of questions you will have 10 seconds to work out the answer and record it on your answer sheet.

11. Linda has £5 in her money box. She spends £2.95 on a book. How much does she have left? (£2.05)
12. What day of the week is 5<sup>th</sup> March 1999? (Friday)
13. Look at your sheet. Circle the fraction that is the same as 0.5 .  
 $\frac{3}{4}$   $\frac{1}{4}$   $\frac{1}{3}$   $\frac{1}{2}$  ( $\frac{1}{2}$ )
14. Write a number in each blank box so that the five numbers are in order.  
697  701  706  
(698-700 inc.) (702-705 inc.)
15. Joe has 92 stamps. Sam has 47 fewer stamps. How many stamps has Sam? (45)

**YEAR 3**

**Mental Arithmetic Test 13**

Name:

Date:

1  2 5 3

2

3  701

4

5  35 100

6  4 7 16

7  12 children  
4 rows

8  4 children  
20 sweets

9  195

10

11  £5  
£2.95

12 

Friday 12 <sup>th</sup> March 1999
---

13  $\frac{3}{4}$   $\frac{1}{4}$   $\frac{1}{3}$   $\frac{1}{2}$

14 697  701  706

15  stamps 92 stamps  
47

## Year 3 Block 3

### Test 14 (end of week 4)

I will read every question twice. In this first set you will have 5 seconds to work out the answer and record it on your answer sheet.

- Write the smallest number you can with these 3 digits 3, 6, 4 (346)
- Round 433 to the nearest 100 (400)
- What number is shown by the arrow?

- 12    ↑    22 (17, accept 16 or 18)
- How many vertices has a cube? (8)
  - How many less than 62 is 55? (7)
  - What are ten tens? (100)
  - Lollies are 5p each. How much will 7 cost? (35p)
  - What is one tenth of 60? (6)
  - Write an odd number between 28 and 39. (29,31,33,35 or 37)
  - What is the remainder when 21 is divided by 5? (1)

For the next set of questions you will have 10 seconds to work out the answer and record it on your answer sheet.

- There are forty children in a classroom. How many teams of five players can be made? (8)
- Find the sum of 5, 9 and 4. (18)
- Look at the solid shapes names on your sheet. Tick the solids which will roll.  
(cone and sphere)
- Look at the collection of stars on your sheet. What fraction is shaded? (3/8)
- The side of a square is 3cm. How far is it all round the edge? (12cm)

**YEAR 3**

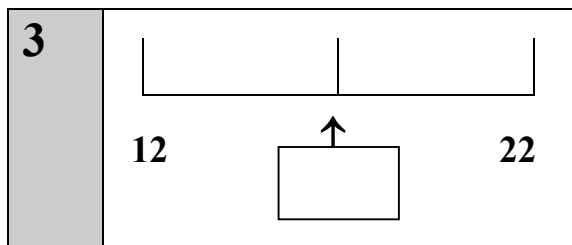
**Mental Arithmetic Test 14**

**Name:**

**Date:**

**1**  **3 6 4**

**2**  **433**



**4**

**5**  **62 55**

**6**

**7**  **p 5p**

**8**  **60**

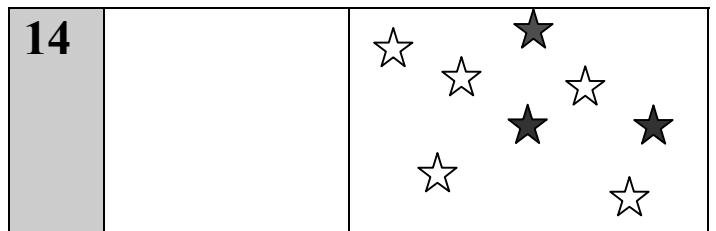
**9**  **28 39**

**10**

**11**  **40 children**  
**teams of 5**

**12**  **5 9**  
**4**

**13** **pyramid** **sphere**  
**cone** **cube**

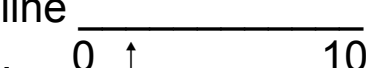


**15**  **cm 3cm**

## Year 3 Block 3

Test 15 (end of week 6)

I will read every question twice. In this first set you will have 5 seconds to work out the answer and record it on your answer sheet.

1. Put a ring round the smallest **odd** number 163, 258, 137, 208. **(137)**
2. What is the number shown by the arrow on the number line  
  
. 0 ↑ 100 **(20)**
3. Round 256 to the nearest 100. **(300)**
4. If I am facing West and turn anti-clockwise through one right angle in what direction am I facing? **(South)**
5. What is 400 subtract 4? **(396)**
6. Divide 30 by 5. **(6)**
7. What is 800 divided by 100? **(8)**
8. You have 50 litres of water. How many 10 litre buckets can you fill? **(5)**
9. How much do you expect a teapot to hold? Circle the appropriate amount. **(1 litre)**
10. David is 1 metre and 15 centimetres tall. What is his height in centimetres? **(115cm)**

For the next set of questions you will have 10 seconds to work out the answer and record it on your answer sheet.

11. A teaspoon holds 5ml of medicine. How many millilitres did John take yesterday if he took 2 spoonfuls after his breakfast, lunch and tea? **((30ml)**
12. Look at the dial on your sheet. How many right angles does the switch turn through if you turn it clockwise on to HIGH? **(3)**
13. What 3 coins will make 90p? **(50p, 20p, 20p)**
14. Look at the shape on your sheet. What fraction of the shape is shaded? **(three fifths, 3/5)**
15. Look at the grid on your sheet. Name the square which is shaded. **(D3)**

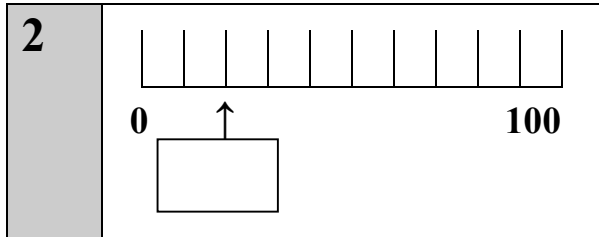
**YEAR 3**

**Mental Arithmetic Test 15**

Name:

Date:

1 163 258 137 208



3 256

4 west

5 400 4

6

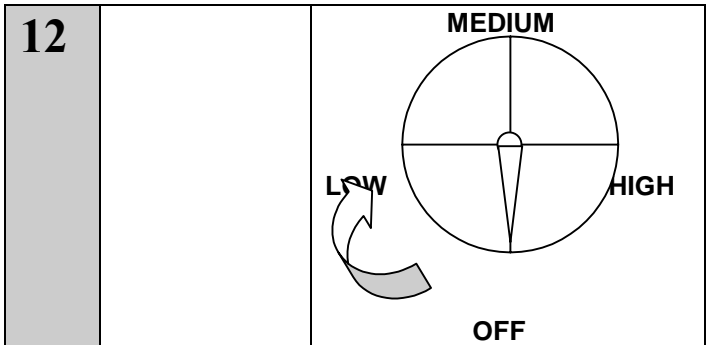
7

8 50 litres  
10 litre buckets

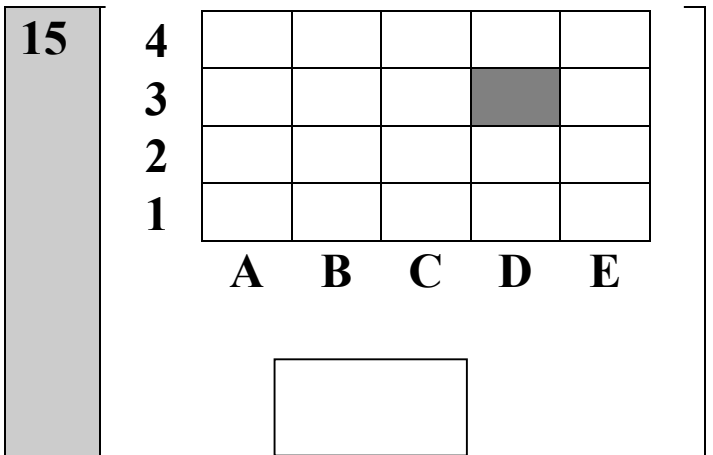
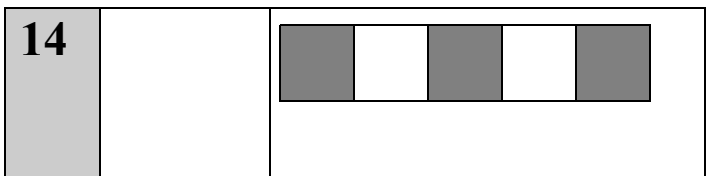
9 1 litre 10 litres 100 litres

10 cm 1m 15cm

11 ml 5ml  
2 spoonfuls



13 90p



## Year 3 Time Block 3

### Test 16

I will read every question twice. In this first set you will have 5 seconds to work out the answer and record it on your answer sheet.

1. Write in figures the number eight hundred and six. (806)
2. Round 650 to the nearest 100. (700)
3. Put a ring round the smallest number: 7, -1, 5, -8, 2 (-8)
4. If I am facing North and turn through 2 right angles, in what direction will I be facing? (South)
5. Calculate the answer to 700 subtract 200. (500)
6. What is 200 more than 342? (542)
7. What is 900 divided by 10? (90)
8. Write the operation sign that would make the number sentence correct.  $18 ? 5 = 90$  (x)
9. A large box weighs 1 kilogram and 350 grams. How many grams is this altogether? (1350g)
10. Choose the best unit for measuring the length of a garden.  
km, m, cm - Ring the correct one. (m)

For the next set of questions you will have 10 seconds to work out the answer and record it on your answer sheet.

11. How much water is in the jug? (300ml)
12. A box holds 6 eggs. How many boxes will hold 24 eggs? (4 boxes)
13. What is the least number of coins needed to make 28p? (4)
14. Tickets are £5 each. How many can you buy with £24? (4)
15. Look at the sequence of numbers on your sheet. Write the next number.

28, 23, 18, 13, 

8
---



**YEAR 3**

**Mental Arithmetic Test 16**

**Name:**

**Date:**

**1**

**2**

**3**    7    -1    5    -8    2

**4**   **North**

**5**   **700    200**

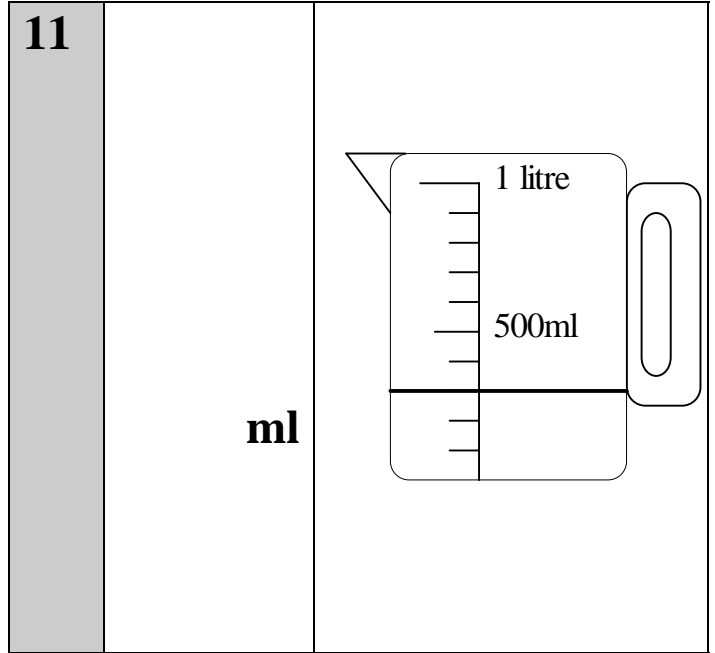
**6**   **342**

**7**   **900**

**8**    18        5 = 90

**9**   **g    1kg 350g**

**10**    **km    m    cm**



**12**   **24**  
**eggs**  
**boxes**

**13**   **28p**

**14**    **£5 tickets**  
**tickets    £24**

**15**    28    23    18    13

## Year 3 Time Block 3

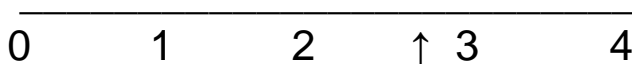
Test 17 (end of week 10)

I will read every question twice. In this first set you will have 5 seconds to work out the answer and record it on your answer sheet.

1. What number is 100 more than 437? (537)
2. Write in figures the number six hundred and thirteen. (613)
3. Round 539 to the nearest 100. (500)
4. A watch costs between £6 and £7. How much might it have cost? (any amount from £6.01-£6.99 inc.)
5. If I am facing west and turn clockwise through  $\frac{3}{4}$  turn, in what direction am I facing? (South)
6. Find the total of 16, 3, 5 and 7. (31)
7. Double 450. (900)
8. Put in the operation sign that would make the number sentence make sense.  $63 ? 98 = 161$  (+)
9. 1 pen costs 75p. What is the cost of 4 pens? (£3)
10. Write two pounds and seven pence using the £ sign and decimal point. (£2.07)

For the next set of questions you will have 10 seconds to work out the answer and record it on your answer sheet.

11. What measurement is shown by the scales? ( $4\frac{1}{2}$ kg or 4.5kg)
12. If 75 sweets are shared between 10 children, how many sweets will be left over? (5)
13. Look at the number line on your sheet. Draw an arrow to show where  $2\frac{3}{4}$  is.



14. I think of a number, double it and add 6. The answer is 36. What was my number? (15)
15. Write the missing number in the empty box in the sequence on your sheet.  
5, 9, ?, 17, 21 (13)

**YEAR 3**

**Mental Arithmetic Test 17**

**Name:**

**Date:**

**1**

**2**

**3**  **539**

**4**

**5**  **West**

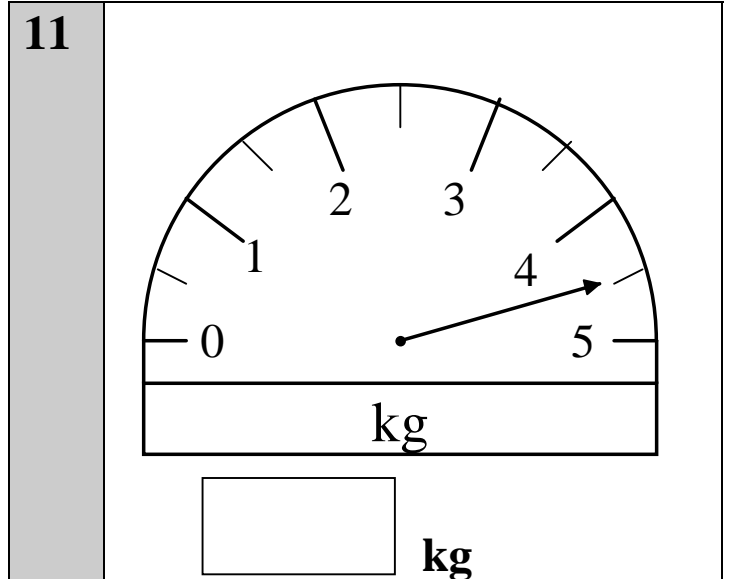
**6**  **16 3**  
**7 5**

**7**  **450**

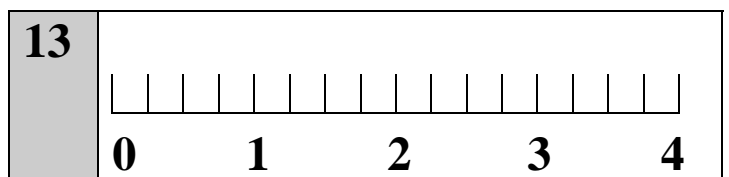
**8** **63**  **98 = 161**

**9**  **75p**  
**4 pens**

**10**   
**£**



**12**  **75 sweets**  
**10 children**



**14**  **36**

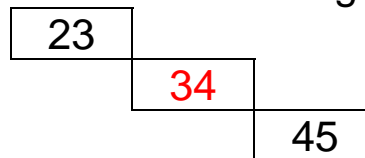
**15** **5 9**  **17 21**

## Year 3 Time Block 3

Test 18 (end of week 12)

I will read every question twice. In this first set you will have 5 seconds to work out the answer and record it on your answer sheet.

1. Write in figures the number one thousand five hundred and six.  
(1506)
2. Write 193 to the nearest hundred. (200)
3. What number comes immediately before 560? (559)
4. On your sheet is part of a 100 square. Fill in the missing number.



5. What number is halfway between 300 and 400? (350)
6. How many faces has a triangular prism? (5)
7. What is 600 and 400 altogether? (1000)
8. Put a ring round the number that is a multiple of 5:  
( 16, 20, 51, 59) (20)
9. Write in the operation sign that would make the number sentence correct  $150 \ ? \ 21 = 129$  (-)
10. How much time is between 8am and 3pm? (7 hours)

For the next set of questions you will have 10 seconds to work out the answer and record it on your answer sheet.

11. What temperature is shown on the thermometer? (37°C)
12. I have 36 cakes. How many boxes will I need to hold the cakes if one box holds 5 cakes? (8)
13. Four quarters and two halves make how many wholes? (2)
14. What is the total of 13, 3, 5 and 7? (28)
15. The pictogram on your sheet shows information about how many children in a school had a computer at home. The picture of the computer stands for 2 children. How many children in Y4 have a computer at home? (8)

**YEAR 3**

**Mental Arithmetic Test 18**

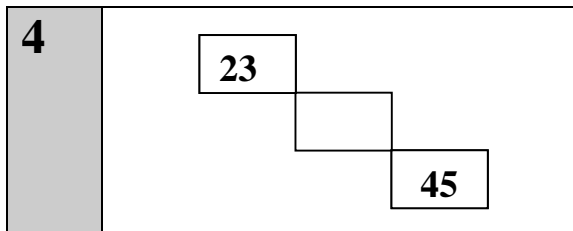
**Name:**

**Date:**

**1**

**2**  **193**

**3**



**5**

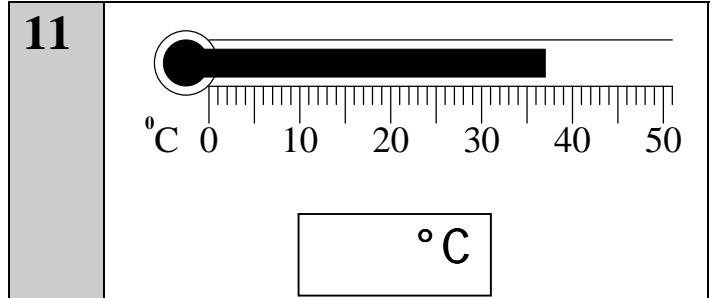
**6**

**7**  **600 400**

**8** **16 20 51 59**

**9** **150**  **21 = 129**

**10**  **8am**  
**3pm**



**12**  **36**  
**cakes**

**13**  **wholes**

**14**  **13 3**  
**7 5**

**15**

Y6					
Y5					
Y4					
Y3					
Y2					
Y1					

**Number of children**

= **2 children**